

Do Not Write Within Boxed Area.  
For Engineering Office Use Only.

CITY OF NAPOLEON  
ENGINEERING DEPARTMENT

SIGN PERMIT

(Please Print or Type)

Permit No.	637
Issued	11-A-94
By	BAD
Estimated Cost	
Base Fee	500
Add	272
Total Fee	772

Owner's Name Video Express

Address 1841 E. Second Dr. # 43512

Builder Harmon Signs Address 7844 W. Central Ave. 78466 Tel. 349-6678

SIGN  BILLBOARD  AWNING  MARQUEE

Location of Project: 125 E. Maxwell St. #100

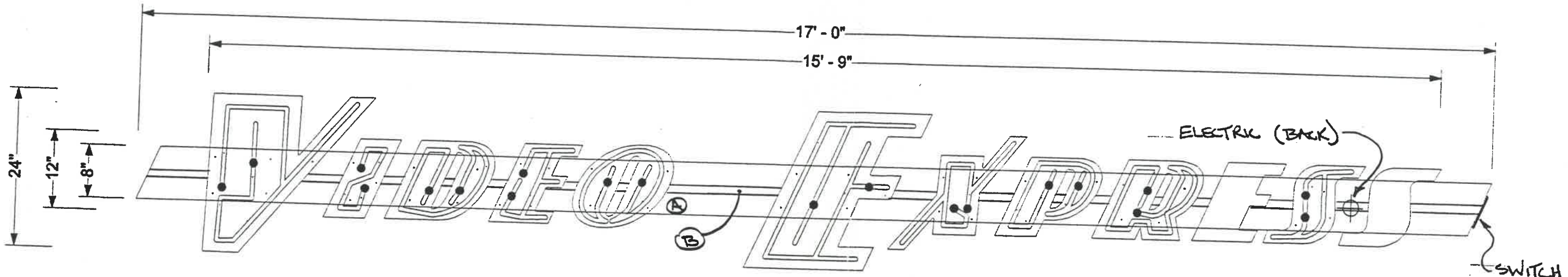
Additional Information:

Dimensions 2' x 17' wall sign

Date 11-A-94

**PAID**  
Square Feet 34  
NOV 04 1994  
Signature CAPTAIN NAPOLEON

Application Must Be Accompanied with Sketch and Description of Proposed Installation  
White - Applicant Yellow - Clerk-Treasurer Pink - Engineering Gold - County Auditor



125 E. Maumee  
Suite 100

A. CLEAR ANODIZED ALUMINUM RAKEWAY (.040)  
B. REFLECTIVE YELLOW VINYL 1" STRIPE

**LIGHTED LETTERS**

Qty(Sets) 1 Size 24 "  Face  1/8"  3/16"  1/4" Color 2283 RED  
 Trim Cap Color SHINY SILVER  Return 5 " Color PRE-FINISHED YELLOW  Interior Set  
 RW 8" H 17" W 8" D Color CLEAR .040 Glass Color #16 MM 13  
 No. of Strokes 103  Exposed Glass  UL  Volts 120 Elec. Conn. Type GLASS HOUSINGS  
 Trans Box  30MA  60MA Trans. Type REMOTE  Std. Offs \_\_\_\_\_  
 Reverse Lit Mounting \_\_\_\_\_

334  
8  
---  
272

ORDER NO.	
JOB	VIDEO EXPRESS
LOCATION	DEFIANCE, OH.
SCALE	3/4" = 1'-0"
FILE	VIDEOEXP
DRAWN BY	J. BOZEMAN
SALESMAN	K. GIERKER
DATE	10-3-94
REVISIONS	
APPROVED BY	J. B. T. B.
<b>Harmon Sign</b> Since 1937 7844 W. Central Ave., Toledo, Ohio 43617	
The Design And Engineering is Submitted As Our Proposal And is To Remain Our Property Exclusively Until Accepted And Approved By Purchase	